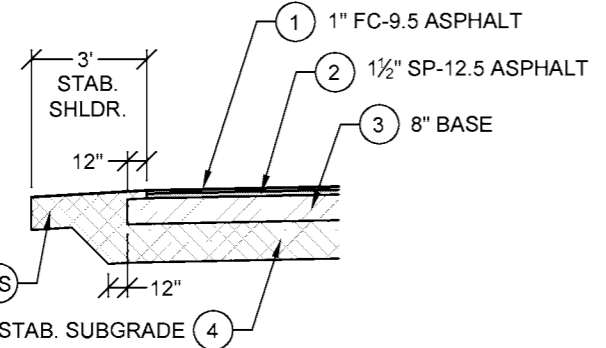
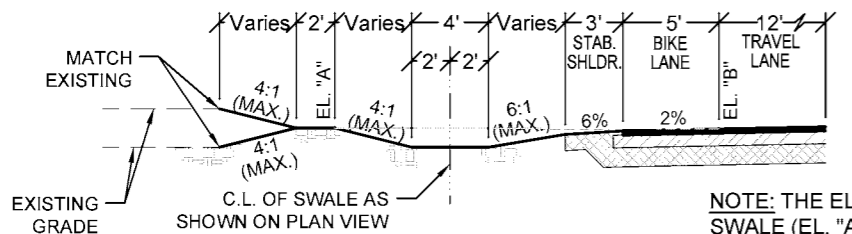


TYPICAL ROADWAY SECTION - 45th STREET
DESIGN SPEED: 45 MPH / POSTED SPEED: 45 MPH
SCALE: 1"=5'

NOTE: THE HORIZONTAL AND VERTICAL LOCATION OF THE EXISTING AND PROPOSED CROSS-SECTIONS VARIES ALONG THE LENGTH OF THE PROJECT. SEE 100 FOOT CROSS-SECTIONS FOR LOCATION SPECIFIC INFORMATION, SHEETS 36-76.



TYPICAL ASPHALT PAVING SECTION
1"=5'



TYPICAL SWALE SECTION
1"=10'

NOTE: THE ELEVATION AT THE TOP OF THE SWALE (EL. "A") SHALL NOT EXCEED THE ELEVATION OF THE OUTSIDE EDGE OF THE TRAVEL LANE/BIKE LANE (EL. "B").

TYPICAL CROSS SECTION

Y:_mm\Projects\2018\1804 - 45th ST\ENG\CADD\1804_01_Base.dwg

NO.	DATE	DESCRIPTION	DR/APP
REVISIONS			


MASTELLER & MOLER, INC.
 CONSULTING ENGINEERS
 1655 27th STREET - SUITE 2, VERO BEACH, FLORIDA 32960
 (772) 567-5300 / FAX (772) 794-1106
 CERTIFICATE OF AUTHORIZATION #4204

CONSTRUCTION PLANS
45th STREET IMPROVEMENTS
43rd AVENUE TO 58th AVENUE
INDIAN RIVER COUNTY I.R.C. PROJECT #1722

Title to all documents which bear the copyright of Masteller & Moler, Inc. is vested solely in Masteller & Moler, Inc. These documents are provided to the owner solely in connection with this project. Any other use or reuse of these documents or any reproduction, display, sale or other disposition of these documents by anyone is expressly prohibited without consent of Masteller & Moler, Inc. pursuant to the Federal Copyright Law.

1804_01_base.dwg	DRAWN	JTH
	DESIGNED	SEM
	CHECKED	SEM
	DATE	3/9/2018
	SCALE	AS NOTED
	SHEET	16 OF 116
	DWG NO.	1804

05/21/2019
STEPHEN E. MOLER, P.E. FL #33193